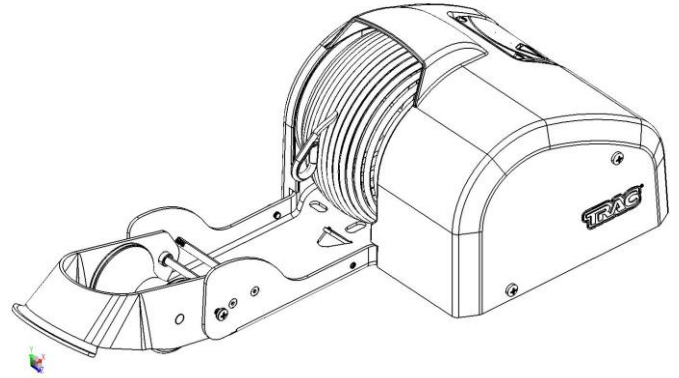


# T10109 PONTON 35™



## ANCHOR WINCH INSTALLATION AND OPERATING INSTRUCTIONS

This Freshwater anchor winch retrieves and deploys **river** and **mushroom** anchors using anchor rope. It features power-up and power-down operation from a switch located on the winch cover.



### READ THIS MANUAL

If you have any questions when installing this product, we are here to help!

**(615) 462-6224**

9am to 4pm (Central Time) Monday - Friday

### TRAC Anchor Winch Limited Warranty

This limited warranty is provided by TRAC Outdoor Products Co (TRAC) to the original consumer purchaser (purchaser) of the TRAC Anchor Winch. This limited warranty is not transferable to any other party. TRAC will at its option repair or replace any part(s) of the TRAC Anchor Winch which may be found by TRAC to be defective within two (2) years of purchase. TRAC will pay the parts and shipping cost to the purchaser for any part(s) which may be shipped by TRAC. For warranty repair or replacement, the purchaser must provide dated proof of purchase and notify TRAC of the request for warranty service. The purchaser may notify TRAC by email at [info@TRAC-Outdoor.com](mailto:info@TRAC-Outdoor.com) or by phone at 615-462-6224 for warranty service. TRAC will attempt to provide parts needed to repair the winch. If the winch is to be returned, purchaser will be provided a Return Goods Authorization (RGA) to include with any return for warranty service which will be shipped at the purchaser's expense to the address provided. The purchaser must use reasonable care in maintenance and operation of the product in accordance with this manual. Failure to follow the instructions in the manual will void the warranty. This warranty covers defects in material or workmanship of the TRAC Anchor Winch for its intended purpose. This warranty does not cover failure that results from misuse, improper installation, accident, abuse, neglect, modification, or improper maintenance. There is no other express warranty. Implied warranties, including those of merchantability and fitness for a particular purpose, are limited to two (2) years from the date of purchase. Any damage to watercraft resulting from proper or improper use of this TRAC Anchor Winch is not covered under this warranty. Costs of installation or repair by service centers or marine repair facilities are not covered by this warranty. This is the exclusive remedy and any liability for any and all incidental or consequential damages or expenses whatsoever is excluded. Some states do not allow limitations on how long an implied warranty lasts, or do not allow exclusion or limitation of incidental or consequential damages, the above limitations may not apply to you. This limited warranty gives you specific legal rights, and you may also have other rights which vary from state to state.

**GENERAL SAFETY INFORMATION** - Throughout this manual potential safety hazards will be noted with the following terms. Please read and understand these terms before operating the product.

#### **⚠ DANGER**

Danger means a hazard that **WILL** cause death or serious injury if the warning is ignored.

#### **⚠ WARNING**

Warning means a hazard that **COULD** cause death or serious injury if the warning is ignored.

#### **⚠ CAUTION**

Caution means a hazard that **MAY** cause minor or moderate injury if the warning is ignored. It may also mean hazard that will only cause damage to property.

**Please read and save these instructions. Read carefully before attempting to assemble, install, operate or maintain this anchor winch. Protect yourself and others by observing all safety information. Failure to comply with instructions could result in personal injury and/or property damage! Retain instructions for future reference.**

#### **⚠ CAUTION**

Always raise the anchor before moving the boat. Do NOT drag the anchor with the boat's power. This will cause product damage or injury. Do NOT use the anchor winch to pull the boat to the anchor position. Motor the boat toward the anchor while retrieving the anchor rope.

#### **⚠ DANGER**

**SAFETY CABLE USE** - When the boat is being trailered, the anchor must be placed in the boat and secured. If the anchor breaks free during trailering, it could cause serious damage and/or injury. Attach Safety Cable Snap-Hook around anchor shackle to secure the anchor when boat is underway.

## **⚠ DANGER**

### **Rope breakage.**

1. Never allow anyone to be positioned between anchor and winch. If rope breaks it could snap back and cause injury.
2. If the included anchor roller is ever replaced it must be replaced by a closed loop anchor roller to prevent the anchor line from snapping onto the boat deck in the event the rope breaks.
3. Always use an anchor rope with minimum 500 pound tensile strength for this product. Never substitute cable for rope.
4. This product is intended to lift short shanked river & mushroom anchors. Do not attempt to lift objects overhead.
5. Inspect entire rope for weak or worn condition. Replace worn rope with anchor rope with a min. 500 lb break strength.

## **⚠ DANGER**

### **Electrical shock and fire hazards.**

1. Do not use electrical wire sizes smaller than 12 AWG (gauge) with a 105-C temperature rating. Using wire that is too small could result in overloading and a fire. Larger gauge wire is permitted.
2. Use the supplied circuit breaker or a 20 amp in-line fuse when installing this winch.
3. Always disconnect the battery lead wires from the battery before attempting to install, relocate, or service the winch.

## **⚠ DANGER**

**Cruising and boat trailering hazards** – As a precaution, when the boat is cruising the anchor must be secured with the safety cable provided. When the boat is being trailered, the anchor must be placed inside the boat or tow vehicle. If the anchor breaks free during cruising or trailering, it could cause serious damage and/or injury.

## **⚠ WARNING**

### **Entanglement hazards.**

1. Never place any object or tool in the rope spool while retrieving or deploying the anchor. The tool or object could become tangled in the rope resulting in serious injury and/or damage to the winch.
2. Do not wear loose fitting clothing, scarves, or neck ties during the operation of the winch. Loose clothing may become caught in moving parts resulting in injury or death.
3. Do not operate the winch under the influence of drugs and/or alcohol.

## **⚠ CAUTION**

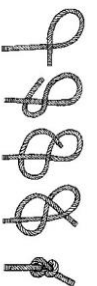
**Storage and Maintenance** – For storage, it is best to disconnect positive wire from battery.

## **⚠ DANGER**

**CONNECTING THE WINCH TO BATTERY POWER** - Do not use wire sizes smaller than 12 AWG with 105-degree C rated insulation. Using wire that is insufficient could result in overloading and a fire. The use of larger diameter wire is encouraged and can improve the flow of electrical current. If longer wire is required, use the next larger wire size (12 or 10 AWG) for your installation. Use the supplied circuit breaker or an in-line 20-amp fuse. Using incorrect circuit breakers may result in fire. Always disconnect battery wires from the battery before attempting to install, relocate, or service the winch.

## **⚠ CAUTION**

**ROPE INSTALLATION** - Anchor rope is pre-installed, but when you need to install new rope, insert the rope through the hole located on the inside of the spool/drum and tie an overhand knot on the outside of the spool so the knot can be pulled into the countersunk hole on the outside end of the spool. Pull the rope so the knot is tight against the counter sunk hole. Make sure the rope is not tangled and not looped around anything and is free to wrap on the spool. Hold tension of the rope while wearing a glove. Press the "UP" direction on the switch and hold until the rope is neatly wrapped on the spool. Release the switch button at anytime during the wrapping of the rope on the spool if an unsatisfactory wrap is occurring. The spool will hold as much as 100' of 3/16" (5mm) anchor rope. Use anchor rope with a minimum of 500 pounds of tensile strength.



# TRAC

## INSTALLATION

### TOOLS REQUIRED:

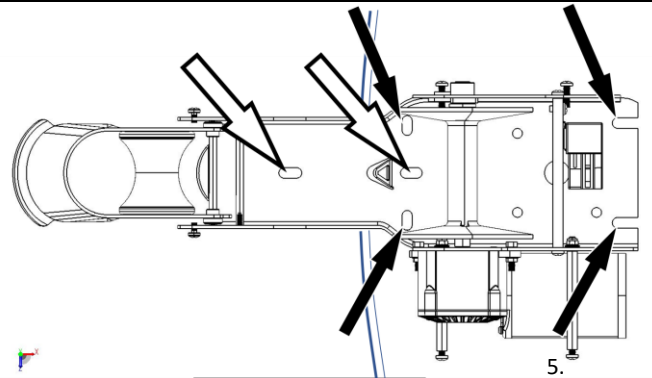
1. Electric Drill and 5/16" Drill Bit
3. Phillips Screw Driver
4. Adjustable (Crescent style) wrench
5. Socket and Driver

### MATERIALS REQUIRED

1. Winch and Anchor Roller (davit included)
2. Seven bolts, washers and nuts (included)
3. Shackle for anchor attachment (included)
4. River or Mushroom anchor (not included)
- Battery Wire and Circuit Breaker (included)

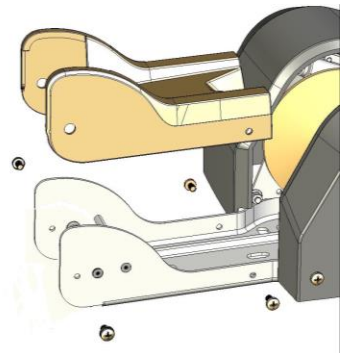
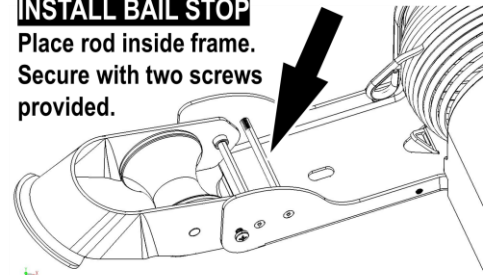
### INSTALLING ANCHOR WINCH ON BOAT DECK

1. Position Winch on boat in desired location. The anchor roller must extend over the edge so anchor does not contact the boat. This winch with one-piece frame can extend further over the edge of the boat.
2. Look below the deck and confirm there are no obstructions.
3. Remove plastic housing from the winch and disconnect switch connector.
4. Mark the desired bolt holes. If using 4 bolts, see the 4 black arrows. If using 3-bolts, use the two open slots at the end of the frame, plus either one of the center holes (see white arrows).
5. If battery wire will be routed through boat deck, choose a location under the plastic housing and mark for drilling.
6. Remove Winch and drill holes.
7. Secure winch to deck using provided bolts, nuts and washers. *Some installations may require reinforcement, such as marine plywood, under deck to ensure greater strength.*
8. Install Bail Stop Rod in Davit frame with screws provided. This is a required part!



### INSTALL BAIL STOP

Place rod inside frame.  
Secure with two screws  
provided.



### CAUTION

Keep wires away from intense heat and never attach circuit breaker to negative terminal of the battery.

9. Route battery wires from winch to battery. Connect RED positive (+) wire to silver terminal on the circuit breaker and tighten nut. On the copper colored circuit breaker terminal, attach the buss bar (brass stamped part) using the small hole and tighten nut. Attach the buss bar (larger hole) to the (+) Positive battery positive terminal. Attach BLACK negative (-) wire to battery negative terminal.
10. Install Davit and Winch Covers.
11. Attach river or mushroom type anchor, up to 30lb anchor is recommended. Do not exceed 40lbs weight or winch damage will occur over time. Use a lighter anchor when possible. Attach rope to anchor shackle and shackle to anchor shank eye.

## ANCHOR WINCH OPERATION

To lower the anchor press and hold the button with the arrow which points down. Release the button when you wish to stop letting rope out. To raise the anchor, press and hold the button with the arrow that points UP. Release the button when the anchor is docked or when you wish to stop the retrieval of the anchor.

### Helpful hints:

1. When the anchor seems to reach the lake or river bottom, allow the winch to release additional rope in short bursts until the boat begins to hold its position. If too much rope is let out too quickly, the rope will tangle in the winch housing.
2. If you are in 20 feet of water, you may need 60 feet of rope to hold in wind or current. The ratio of rope length to depth is called scope and a scope of 5 to 1 is common in wind or current. The more scope, or anchor line out, the better the anchor will hold.
3. Using more scope (more line out) is better than using a heavier anchor.
4. This winch includes an automatic resetting circuit breaker. In the case of a short circuit, or if the winch motor is stalled, the circuit breaker will cut power to the winch, and it will automatically reset after about one minute. The circuit breaker is a required component with this winch. Failure to use the Circuit Breaker will void the warranty and may result in winch failure and possible risk of fire if inadequate wire and circuit protection is used.

## ANCHOR WINCH PARTS

If ordering a part, provide the product model as well as the part number.

PARTS LIST	DESCRIPTION	PART#	QTY
1	Winch Cover	PG10109-1	1
2	Switch Assembly (TAWS-2)	PG10109-2	1
3			
4			
5	Relay Unit with Screws	PG10109-5	1
6	Rope Spool	PG10109-6	1
7	Winch Frame	PG10109-7	1
8	Frame Support Rod (not shown)	PG10109-8	1
9	Cover Screw Stand w/ Hardware	PG10109-9	2
10	Bail	PG10109-10	1
11	Actuator Block	PG10109-11	1
12			
13	Rope, 5mm dia. X 100 ft., 700lb	PG10109-13	1
14	Gear Motor Assembly	PG10109-14	1
15	Gear and Shaft Assembly with Bearings	PG10109-15	1
16	Spool Shaft	PG10109-16	1
17			
18			
19	Davit Roller	PG10109-19	1
20	Safety Cables with Snap Hook	PG10109-20	1
22	Anchor Shackle	PG10109-22	1
23	Circuit Breaker (not shown)	PG10109-23	1
24	Gasket	PG10109-24	1
25	Cover and Screws for Motor	PG10109-25	1
26	Hardware Pack (not shown)	PG10109-26	1
27	Battery Wire (not shown)	PG10109-27	1

