

T10046 Adjustable Trailer Dolly, 700lb.

UNPACKING

When unpacking, ensure that all parts are present and inspect for any damage that may have occurred during transit.

PRODUCT FEATURES

- 700 lb. (317.5 kg) Tongue Weight Capacity
- 4,500 (2,041 kg) Gross Trailer Weight (GTW)
- 39" (99cm) long handle
- Includes 1 7/8" (48mm) chrome hitch ball for 1 7/8" and 2" (51mm) couplers
- Ball height is adjustable from 15 3/8" (39cm) to 24 3/8" (62cm) to fit a wide variety of trailers
- 13" (33cm) solid tires – that never go flat
- Heavy Duty Steel Construction

⚠ WARNING

READ AND UNDERSTAND ALL INSTRUCTIONS. Failure to follow all instructions may result in serious personal injury or damage to property. **Do not exceed the trailer dolly 700-lb. load capacity. Do not stand on or put extra weight on the trailer tongue while using dolly.**

ASSEMBLY INSTRUCTIONS

1. Attach one side of brace (#2) to axle assembly (#6) using bolt (#15), nut (#14) and lock washer (#13).
2. Connect axle assembly (#6), T-Bar handle (#1) and V support (#3) together using bolt (#16), nut (#14) and lock washer (#13).
3. Connect brace (#2), T-Bar handle (#1) and V support (#3) together using bolt (#12), nut (#14) and lock washer (#13).
4. Install coupler ball (#4) onto the adjustable tube (#5), then insert the adjustable tube (#5) into axle assembly (#6) and secure them with pin (#8) and R pin (#9).
5. Attached two wheels (#7) to axle assembly (#6) and secure them with flat washers (#10) and split pin (#11)
6. Check and tighten all fasteners as needed.
7. Adjust the tube to the proper height for your trailer. Make sure pin (#8) is secured through the adjustable tube and the welded tube on the frame. Place the R pin (#9) through the hole of the pin to secure.

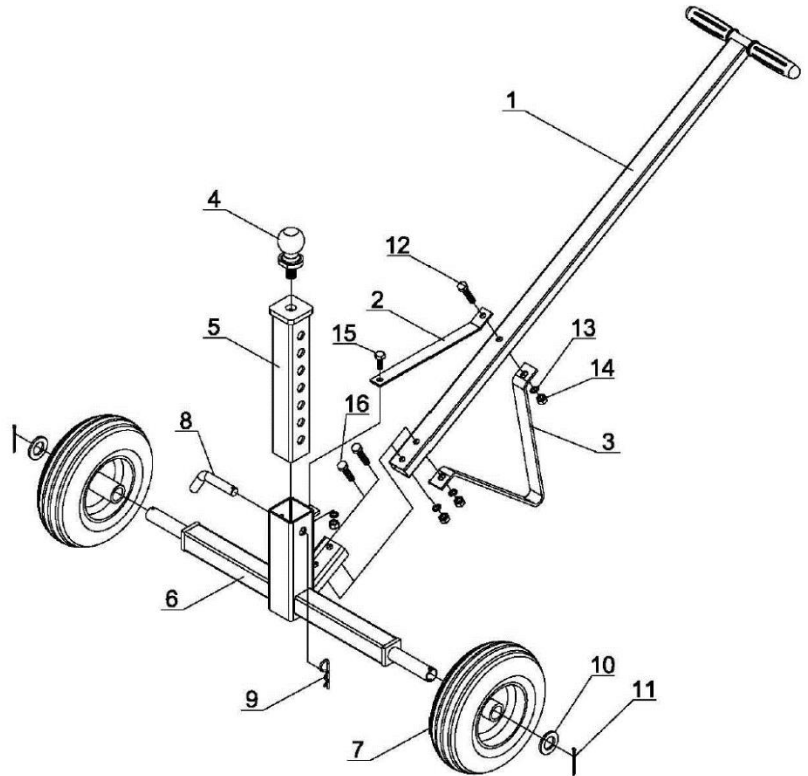
OPERATION

1. Design load limit is 700 lbs. (317.5 kg), for the adjustable trailer dolly alone, not including load supported by trailer wheels. Do not exceed the rated capacity.
2. Always keep arms, feet and legs, etc. out from under the trailer tongue while hitching, unhitching or moving the trailer. Children should always be kept at a safe distance.
3. Always make sure any loaded trailer is blocked properly while the adjustable trailer dolly is being moved into place.
4. Make sure the trailer tongue is securely connected to the adjustable trailer dolly coupler ball before attempting to unblock and move the trailer.
5. Take precautions to prevent uncontrolled movement of the trailer once it is connected to the adjustable trailer dolly.
 - a. Distribute the load evenly – uneven loads may cause the adjustable trailer dolly to tip, resulting in personal injury to the operator or others.
 - b. Use the adjustable trailer dolly on flat and level surfaces capable of supporting the dolly and its maximum load – pulling or pushing a load on a slanted or uneven surface can result in loss of control.
6. If the adjustable trailer dolly is being connected to a trailer which is being stored over a lengthy period of time, make sure both the trailer and the adjustable trailer dolly are blocked properly.
7. Keep the adjustable trailer dolly clean and free of road dirt. Inspect the adjustable trailer dolly before each use to make sure all parts are securely in place and in working order. Periodically lubricate moving parts.

PARTS LIST

If ordering a part, provide the product model as well as the part number.

PART #	DESCRIPTION	QTY
1	T-Bar Handle	1
2	Brace	1
3	V Support	1
4	1-7/8" Coupler Ball	1
5	Adjustable Tube	1
6	Axle Assembly	1
7	13" Solid Wheels	2
8	Pin Ø12	1
9	R Pin Ø3	1
10	Flat Washer Ø25	2
11	Split Pin Ø3x40	2
12	Hex Bolt M10x50	2
13	Lock Washer Ø10	4
14	Lock Nut M10	4
15	Hex Bolt M10x25	1
16	Hex Bolt M10x45	1



TRAC Limited Warranty

This limited warranty is provided by TRAC Outdoor Products Co (TRAC) to the original consumer purchaser (purchaser) of this TRAC product. This limited warranty is not transferable to any other party. TRAC will at its option repair or replace any part(s) of the TRAC product which may be found by TRAC to be defective within two (2) years of purchase. TRAC will pay the shipping charge to the purchaser for any part(s) which may be shipped by TRAC. For warranty repair or replacement, the purchaser must provide dated proof of purchase and notify TRAC of the request for warranty service. The purchaser will notify TRAC by email at info@TRAC-Outdoor.com or by phone at 615-462-6224 for warranty service. TRAC will attempt to provide parts needed. If the product is to be returned, purchaser will be provided a Return Goods Authorization (RGA) number to include with any return for warranty service which will be shipped at the purchaser's expense to the address provided. The purchaser must use reasonable care in maintenance and operation of the product in accordance with this manual. Failure to follow the instructions in the manual will void the warranty. This warranty covers defects in material or workmanship of the TRAC product. This warranty does not cover failure that results from misuse, improper installation, accident, abuse, neglect, modification, or improper maintenance. There is no other express warranty. Implied warranties, including those of merchantability and fitness for a particular purpose, are limited to two (2) years from the date of purchase. Costs of installation or repair by service centers or marine repair facilities are not covered by this warranty. This is the exclusive remedy and any liability for any and all incidental or consequential damages or expenses whatsoever is excluded. Some states do not allow limitations on how long an implied warranty lasts, or do not allow exclusion or limitation of incidental or consequential damages, the above limitations may not apply to you. This limited warranty gives you specific legal rights, and you may also have other rights which vary from state to state.